

Product information presented here reflects conditions at time of publication. Consult factory regarding discrepancies or inconsistencies.

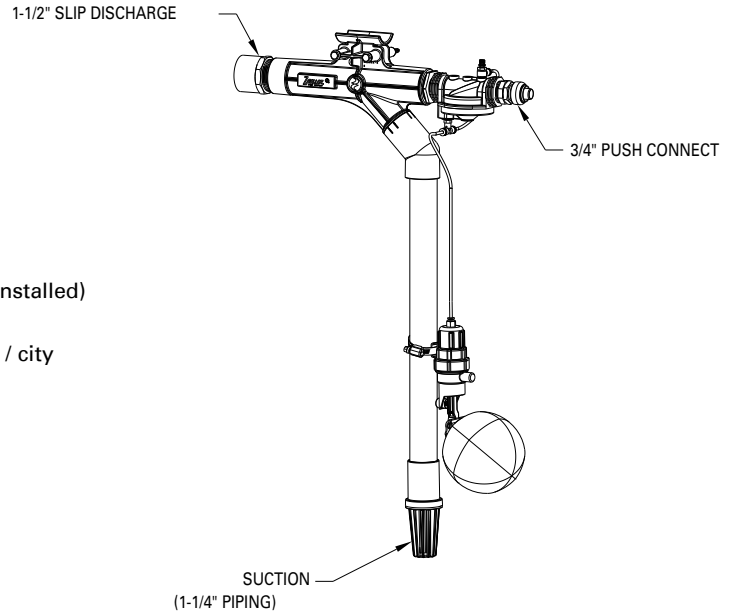
# TECHNICAL DATA SHEET

## 540 FLEX™

### WATER-POWERED EMERGENCY BACKUP SUMP PUMP SYSTEM

#### PRODUCT SPECIFICATIONS

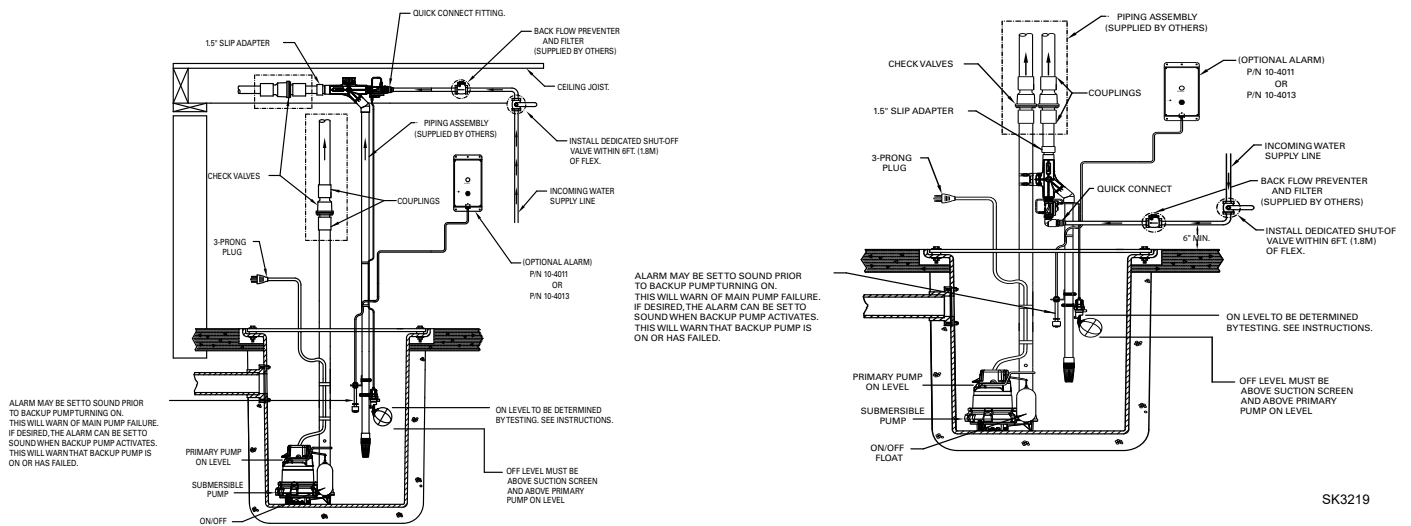
- Can be installed horizontally or vertically.
- No electricity required.
- Works during power failures.
- No battery to change.
- Can be used with any existing brand of sump pump.
- 3/4" inlet piping connection.
- 1-1/2" Discharge Piping connection.
- 1-1/4" suction pipe required for maximum performance (field- installed)
- Includes push-to-connect fitting (field-installed).
- Performs at operating pressures from 40 to 80 psi - municipal / city water pressure.
- Removes up to 2 gallons (7.6 L) per gallon (3.8 L) used.
- High capacity, high head.
- Non-corrosive materials.



SK3230

NOTE: This product is not intended for use as a primary water removal unit.

#### TYPICAL INSTALLATION



SK3219

SK3220

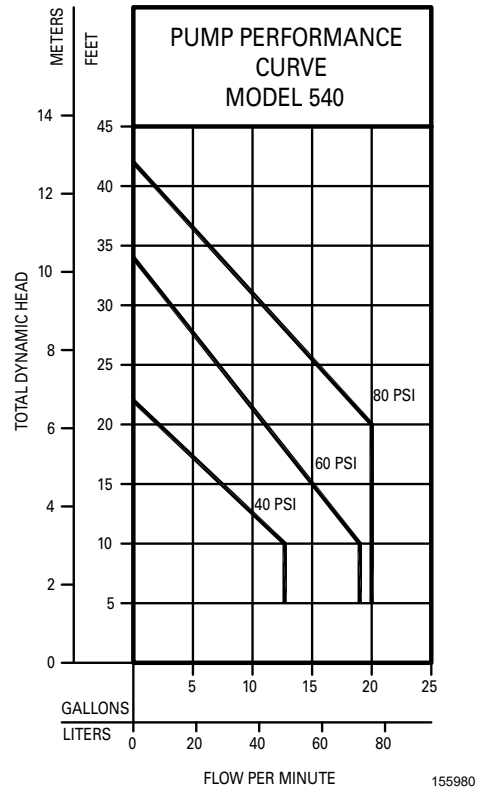
# TOTAL DYNAMIC HEAD FLOW PER MINUTE

MODEL		540					
		40 PSI		60 PSI		80 PSI	
Feet	Meters	Gal.	Liters	Gal.	Liters	Gal.	Liters
5	1.5	12.7	48.1	19.0	72.0	20.0	75.7
10	3.0	12.7	48.1	19.0	72.0	20.0	75.7
15	4.6	7.4	28.0	15.0	56.8	20.0	75.7
20	6.1	2.0	7.6	11.1	42.0	20.0	75.7
25	7.6	-	-	7.1	26.9	15.3	57.9
30	9.1	-	-	3.2	12.1	10.9	41.3
35	10.7	-	-	-	-	6.4	24.2
40	12.2	-	-	-	-	1.8	6.8
Shut-off Head:		22.0 ft. (6.7m)		34.0 ft. (10.4m)		42.0 ft. (12.8m)	

155980

Pump capacity varies due to: inlet water pressure, working water pressure, discharge elevation, number of pipe fittings, inlet and outlet pipe size, fluid viscosity, degree of water clarity, water temperature. The flow rates in the chart are approximate values.

NOTE: Some districts may require a reduced pressure principle backflow preventer per ASSE standards 1013. Check local codes.



155980

**CAUTION** All installation of controls, protection devices and wiring should be done by a qualified licensed electrician. All electrical and safety codes should be followed including the most recent National Electrical Code (NEC) and the Occupational Safety and Health Act (OSHA).